

FEATURES:

- wall mount cabinet series offers an economical and cost effective solution for branching
- compliant with ANSI/EIA RS-310-D, IEC297-2, DIN41491.Part1, part7, DIN 4144 standards
- easy to install the front door
- cable entry from top and bottom
- up to 60 kgs static loading capacity
- toughened glass front door with over 180° angle
- 24 sets cage nuts (less than 12U : 12 sets)
- available for 2 fans pre-installation on the top cover (optional)



MATERIAL:

SPCC cold rolled steel

Thickness: vertical mounting rail: 1.2mm

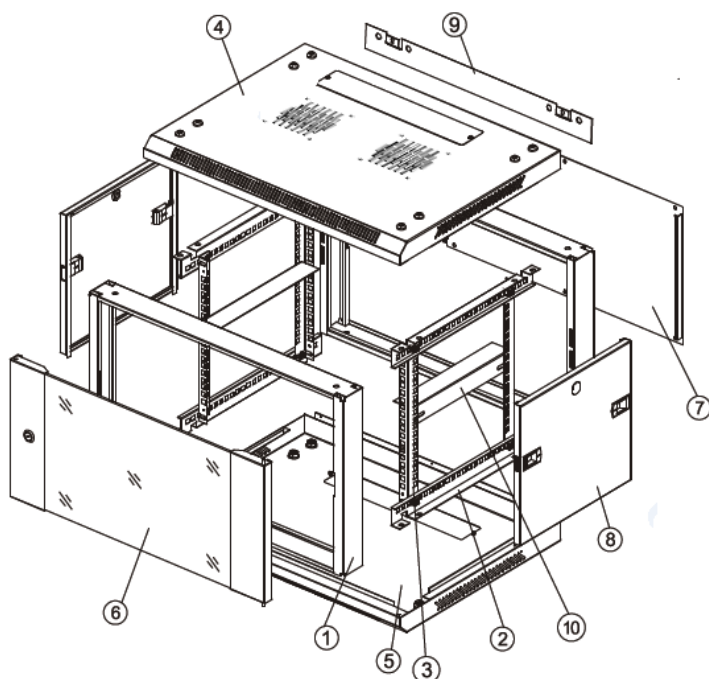
frames & doors: 1.0mm

others: 1.0mm

Color: Black RAL9005

Grey RAL7035

STRUCTURE:



| S/N | Name | QTY |
|-----|------------------------|-----|
| 1 | Frame | 2 |
| 2 | Horizontal bracket | 4 |
| 3 | Vertical mounting rail | 4 |
| 4 | Top cover | 1 |
| 5 | Bottom plate | 1 |
| 6 | Front door | 1 |
| 7 | Rear panel | 1 |
| 8 | Side Panel | 2 |
| 9 | Mounting bracket | 1 |
| 10 | L-shaped bracket | 2 |

Premium Line Systems GmbH reserves the right to change specifications without prior notice.

ORDERING INFORMATION:

| Part NO. | Capacity (U) | Width (mm) | Depth (mm) | Height (mm) | Packing Dimension W*D*H (mm) |
|-----------|--------------|------------|------------|-------------|------------------------------|
| 61126406z | 6 | 600 | 450 | 370 | 615*460*385 |
| 61126409z | 9 | 600 | 450 | 500 | 615*460*515 |
| 61126412z | 12 | 600 | 450 | 635 | 615*460*650 |
| 61126415z | 15 | 600 | 450 | 770 | 615*460*785 |
| 61126418z | 18 | 600 | 450 | 905 | 615*460*920 |
| 61126422z | 22 | 600 | 450 | 1040 | 615*460*1055 |
| 61126606z | 6 | 600 | 600 | 370 | 615*615*385 |
| 61126609z | 9 | 600 | 600 | 500 | 615*615*515 |
| 61126612z | 12 | 600 | 600 | 635 | 615*615*650 |
| 61126615z | 15 | 600 | 600 | 770 | 615*615*785 |
| 61126618z | 18 | 600 | 600 | 905 | 615*615*920 |
| 61126622z | 22 | 600 | 600 | 1040 | 615*615*1055 |

For color substitute "z" in PN: 2 = black (RAL9005) ; 5 = grey (RAL7035)

FAN UNIT (Optional, order with Individual Part No.):

| Part No. | Description |
|-----------|--|
| 621010202 | Fan unit with three pins German type plug, 1 wire/2 fans (voltage: 220V-240V, cable length 2M) |
| 621020202 | Fan unit with three pins UK type plug, 1 wire/2 fans (voltage: 220V-240V, cable length 2M) |
| 6210x0202 | Fan unit with three pins US (NEMA5-15P) type plug, 1 wire/2 fans (cable length 2M) x= 3: 110V-120V 4: 220V-240V |



Euro Type



UK Type



US Type

Premium Line Systems GmbH reserves the right to change specifications without prior notice.

Premium-Line Systems GmbH, Rosenheimer Str.89, D-83064 Raubling, Germany

► TEL: + 49(0)8035 9836 0 ► Fax: + 49(0)8035 9836 22