

FEATURES:

Category 6A S/FTP Patch Cord is using:

- RJ45 contacts 50μ inch gold plated
- Molded snag proof boot

Compliant with Cat.6A standards as:

- ANSI/TIA 568.2-D:2018
- ISO/IEC 11801-1 Class Ea:2017
- CENELEC EN 50173-1:2018
- CENELEC EN 50288-10-2:2015
- IEC 61935-2:2010 (Edition 3.0)
- IEC 61156-6:2012

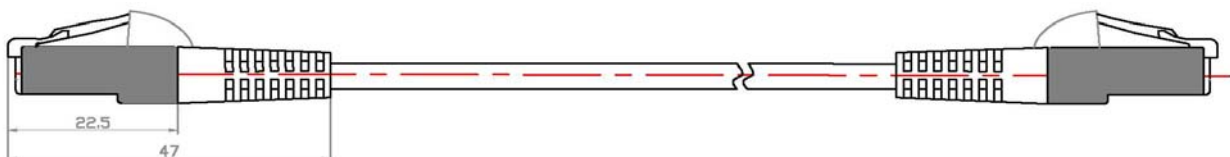


Compliant with safety standards as:

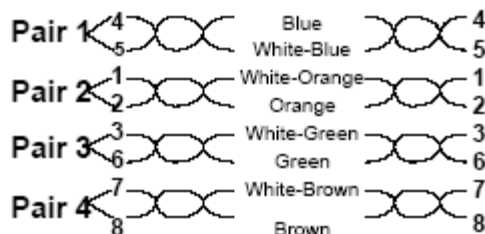
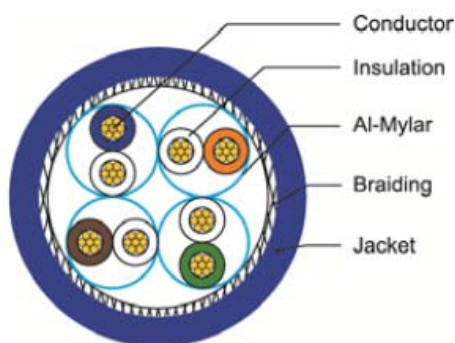
- IEC 60332-1-2:2004
- RoHS compliant (EU Directive 2011/65/EC)

CHARACTERISTICS:

Conductor	Material / size	Bare Copper / 26 AWG	
Insulation	Material	Foam-Skin PE	
	Thickness	Average: 0.3 mm Min. at any point: 0.27 mm	
	Diameter	1.08 ± 0.03 mm	
Inner-Shield	Aluminum-Mylar	an aluminum foil screen around each pair	
Braid	Material	Tinned Copper	
Sheath	Material	PVC	LSOH
	Thickness	Average: 0.5 mm Min. at any point: 0.40 mm	Average: 0.45 mm Min. at any point: 0.40 mm
	Diameter	5.7± 0.3 mm	5.7 ± 0.3 mm
Operation Temperature		-20°C~+60°C	
Installation Temperature		0°C~+50°C	
Storage Temperature		-30°C~+60°C	



Premium Line Systems GmbH reserves the right to change specifications without prior notice



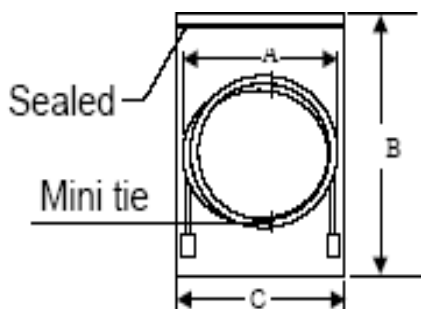
APPLICATION:

- 10G BASE-T Ethernet
- 1000BASE-TX Gigabit Ethernet
- 1000BASE-T Gigabit Ethernet
- 100BASE-TX Fast Ethernet
- 10BASE-T Ethernet
- Voice, Video and other applications

ORDERING INFORMATION:

Part No: 1824xyyyz
 Description: Cat.6A S/FTP patch cord
 x: sheath 1: PVC 2: LSOH
 yyy: Length 005: 0.5m, 010: 1.0m, 020: 2.0m, 030: 3.0m, 050: 5.0m, 070: 7.0m, 100: 10.0m
 z: Color 1: white, 2: black, 3: red, 4: blue, 5: grey, 6: green, 8: yellow
 Packing 1pc / PE bag

length	0.5m	1.0m	2.0m	3.0m	5.0m	7.0m	10.0m
quantity/carton	250pcs	180pcs	120pcs	100pcs	50pcs	40pcs	30pcs



Packing	Length	L ≤ 3m	3m < L ≤ 10m	10m < L
	(A) mm	180+/-5	180+/-5	175~205
	Cable width (B×C) mm	280×203	305×240	305×240
	PE bag size			
	Carton size	42*42*25cm		

Premium-Line Systems GmbH, Rosenheimer Str.89, D-83064 Raubling, Germany

► TEL: + 49(0)8035 9836 0 ► Fax: + 49(0)8035 9836 22

Premium Line Systems GmbH reserves the right to change specifications without prior notice